

# LOGIC 5.0 COMMERCIAL DOOR OPERATOR



## INDUSTRIAL-DUTY APPLICATIONS

**FLOOR-LEVEL CHAIN HOIST**  
for Manual Operation  
in an Emergency

**LARGER SECTIONAL OVERHEAD DOORS**  
Side Mounts to the Wall for  
Vertical or High-Lift Doors

**ROLLING DOORS AND GRILLES**  
Wall or Hood Mounts

## SMART

**MyQ® TECHNOLOGY** ENABLES MONITORING AND CONTROL OF THE FACILITY OPERATORS THROUGH A MOBILE APP.

**GRID VIEW** TO EFFICIENTLY MONITOR ALL THE DOORS IN THE FACILITY.

**REAL-TIME ALERTS** INDICATE THE STATUS OF DOORS VIA EMAIL OR PUSH NOTIFICATIONS.

CONNECTIVITY REQUIRES PURCHASE OF INTERNET GATEWAY (828LM) OR MyQ HOME BRIDGE (819LMB), SOLD SEPARATELY.

## SAFE AND SECURE

**SECURITY+ 2.0®** SAFEGUARDS FACILITY ACCESS WITH ROLLING CODE TECHNOLOGY, OPENING FOR REGISTERED DEVICES ONLY.

**TIMER-TO-CLOSE** CAN BE PROGRAMMED TO CLOSE THE DOOR AFTER A SET AMOUNT OF TIME.

**THE COMMERCIAL PROTECTOR SYSTEM®** AUTO-REVERSES THE DOOR IF AN ENTRAPMENT PROTECTION DEVICE DETECTS AN OBSTRUCTION.

UL 325 REQUIRES ALL COMMERCIAL DOOR OPERATORS TO BE EITHER CONSTANT PRESSURE TO CLOSE OR BE EQUIPPED WITH A PRIMARY EXTERNAL MONITORED ENTRAPMENT DEVICE.

## RELIABLE

**CONTINUOUS-DUTY HIGH-STARTING TORQUE MOTOR** PERFORMS IN DEMANDING INDUSTRIAL OVERHEAD AND ROLLING DOOR APPLICATIONS.

**WARRANTY** 2 YEARS.

**BEYOND INDUSTRY STANDARDS:** LIFTMASTER® IS COMMITTED TO QUALITY PRODUCTS, INNOVATIVE DESIGN AND COMPREHENSIVE SERVICES.

### MONITORED ENTRAPMENT PROTECTION:

#### COMMERCIAL PHOTO EYES

Indoor use; NEMA 1 rated; max. range: 30 ft.



CPS-U

#### RETRO-REFLECTIVE PHOTO EYE

Photo eye and reflector with polarized beam; indoor/outdoor use; NEMA 4X rated; max. range: 50 ft.



CPS-RPEN4

#### DUAL-SIDED PHOTO EYES

Flexible rubber housings resist water spray and corrosion; indoor/outdoor use; NEMA 4X rated; max. range: 45 ft.



CPS-OPEN4

#### COMMERCIAL PROTECTOR SYSTEM

Heavy-duty industrial housings; indoor/outdoor use; NEMA 4 rated; max. range: 45 ft.



CPS-UN4

#### OPTICAL EDGE SYSTEM

Infrared optical sensors in a customizable rubber enclosure are protected against water; indoor/outdoor use; NEMA 6 rated; max. range: 33 ft.



OES

### NON-MONITORED ENTRAPMENT PROTECTION:

#### LIGHT CURTAIN

Provides 36 inches of increased zone coverage for additional protection; indoor use; max. range: 33 ft.



LC-36A

### TOTAL SOLUTION ACCESSORIES:

#### ENCRYPTED DIP 3-BUTTON, 3-COLOR REMOTE CONTROL

Extreme-range remote programmable for open/close/stop operation.



813LM

#### INTERNET GATEWAY

Enables smartphone monitoring and control of each operator.



828LM

#### RED/GREEN TRAFFIC LIGHT

High-intensity LED lights indicate the door status for safe exit and entry in any light (TLS1CARD recommended).



RGL-CTL

LiftMaster offers accessory solutions for any commercial application. View the full product lineup at [LiftMaster.com](http://LiftMaster.com)

# MASTERFUL ENGINEERING.

## MOTOR



- Available in 1/3, 1/2, 3/4 and 1 HP
- Instant Reverse and Overload Protection
- Capacitor Start on Single-Phase
- Removable without Affecting Limit-Switch Settings

## POWER



- Dual-Voltage Connections
  - Single-Phase: 115V and 230V
  - 3-Phase: 208V, 230V and 460V
  - Discrete Model: 575V
- Customizable Voltage to Meet Job Requirements
- 5V DC NEC Class 2 Control Voltage

## COMMERCIAL-GRADE DESIGN



- **Industrial Ball Bearings** on 1" Output Shaft
- **Floor-Level Disconnect** for Manual Lifting Operation in an Emergency
- **Floor-Level Disconnect and Chain Hoist** with Electrical Interlock for Hoist Operation in an Emergency
- **Standard Brake** on 3/4 and 1 HP Operators (Optional on 1/2 HP; Not Available on 1/3 HP)
- **Drive Reduction:** Heavy-Duty 5L V-Belt (First Stage); #48 Chain (Additional Reductions); #50 Output Sprocket Chain

# STANDARD SPECS.

### SECURITY+ 2.0® RADIO RECEIVER

#### ACCEPTS:

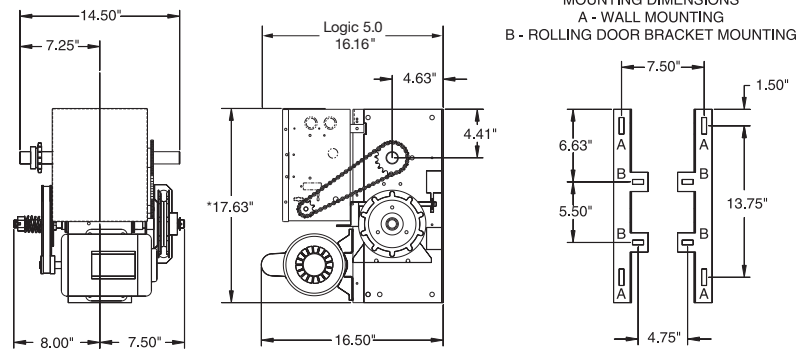
- (30) 3-Button Remote Controls or (90) 1-Button Remote Controls
- Additional 30 Wireless Keypads
- Unlimited DIP Switch Remotes

### WIRING

- Control Function Selector Dial Allows Easy Selection of 7 Wiring Types to Meet Users' Needs
- C2 (Constant Pressure to Close) Wiring Preset
- Wiring Types B2, T, TS and FSTS Can Be Selected with the Addition of an Entrapment Protection Device
- Monitored Entrapment Protection Is Recommended When Using C2, D1 or E2
- Logic 5.0 Operators Only Accept UL-Approved LiftMaster® Entrapment Protection Devices

### CONSTRUCTION

- NEMA 1 Type Electrical Box
- Heavy-Duty 11-Gauge Steel Frame with Durable Powder-Coated Finish
- All Reduction Sprockets Drilled and Pinned to Shafts
- Mid-Stop Enables Partial Openings to a Programmed Position for Environmental Control and Time Savings
- Adjustable Friction Clutch Protects the Door and Operator from Damage and Obstructions



MAXIMUM DOOR AREA (SQ. FT.)						
ROLLING	24 GA. STEEL	22 GA. STEEL	-	20 GA., 18 GA. STEEL	16 GA. STEEL	-
	ALUMINUM GRILLES	ALUMINUM DOORS	-	STEEL GRILLES	-	-
SECTIONAL	-	24 GA., 22 GA. STEEL	20 GA. STEEL	-	16 GA. STEEL	-
	FIBERGLASS	ALUMINUM DOORS	WOOD DOORS	-	-	-
	-	-	24 GA. STEEL INSULATED	-	20 GA. STEEL INSULATED	16 GA. STEEL INSULATED
HP	1/3	310	285	260	210	175
	1/2	400	350	320	280	250
	3/4	560	500	450	380	325
	1	640	625	560	475	400

# MODIFICATIONS AND ACCESSORIES. BUILT FOR ANY APPLICATION.

- **Damp Environment (C-Prefix):** Moisture-Resistant Electrical Box, Push-Button Control Station and Photo Eyes with TEFC Motor and without Solenoid Brake
- **TLS1CARD:** Timer Light Status Plug-In Option Card (Typically Used to Control Red/Green Traffic Light and Audible Devices)
- **AUXCARD:** Auxiliary Contacts Plug-In Option Card (with Relays That Change State While the Door Is Moving and When the Operator Is Powered Down)
- **Auxiliary Limits:** Auxiliary Limit Switches at Open and Closed Limits to Control Lights, Heaters, Dock Levelers and Other Auxiliary Devices

For more detailed information or to configure your model number, please visit [Dealer.LiftMaster.com](http://Dealer.LiftMaster.com)

**JDT Garage Door Service**  
602-703-9582  
[info@jdtgaragedoor.com](mailto:info@jdtgaragedoor.com)  
**LiftMaster®**